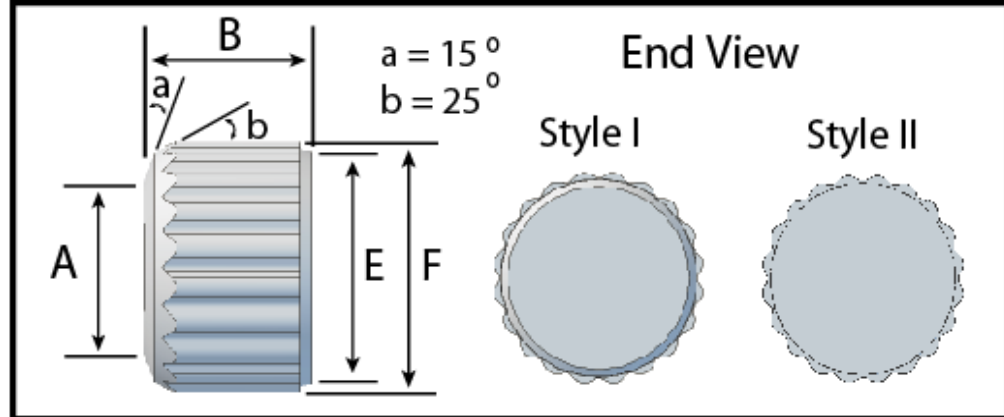
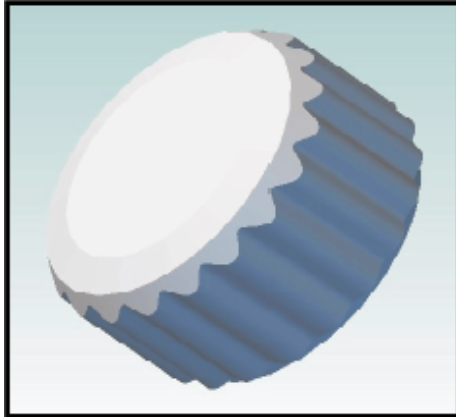
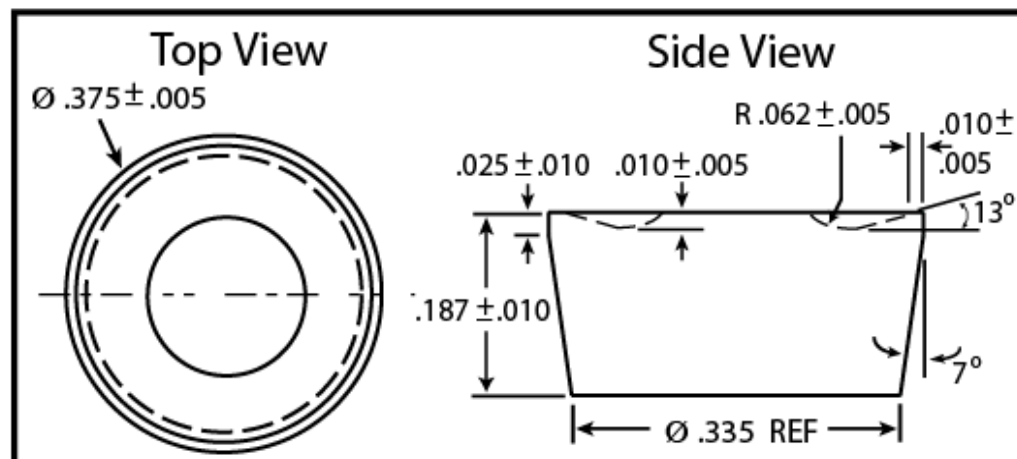
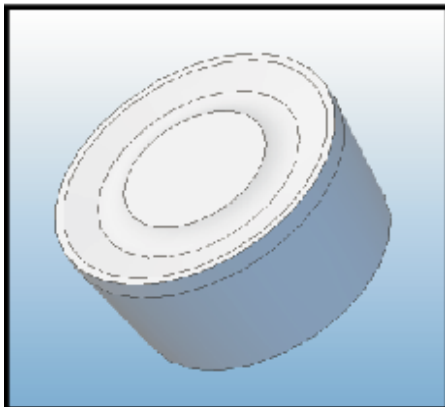


## Serrated stabilizers



Part Number	Dimensions (inches)				End View
	A	B	E	F	
9800	0.284	0.250	0.543	.594/.582	I
9815	0.282	0.348	0.428	.513/.500	I
9816	0.250	0.438	0.375	.446/.441	I
9817	0.208	0.270	0.308	.386/.380	I
9818	0.208	0.316	0.308	.386/.380	I
9819	0.100	0.188	0.188	.259/.255	I
9820	0.100	0.238	0.188	.259/.255	I
9821	0.150	0.187	0.240	.323/.318	I
9822	0.150	0.293	0.240	.323/.318	I
9823	0.250	0.238	0.375	.449/.441	I
9824	0.250	0.348	0.375	.449/.441	I
9825	0.284	0.527	0.543	.594/.582	II
9826	0.284	0.375	0.512	.594/.582	II

## 375 Round Insert\*

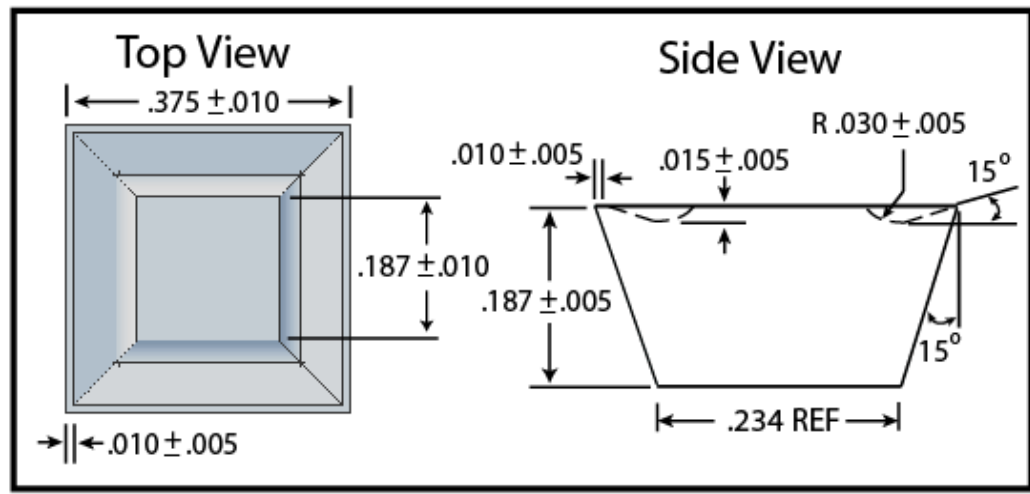
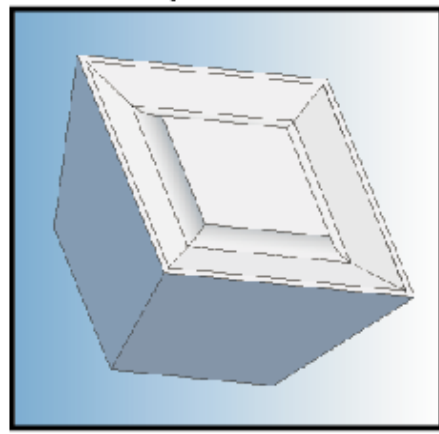


\*Also available, 375 Half Round Insert

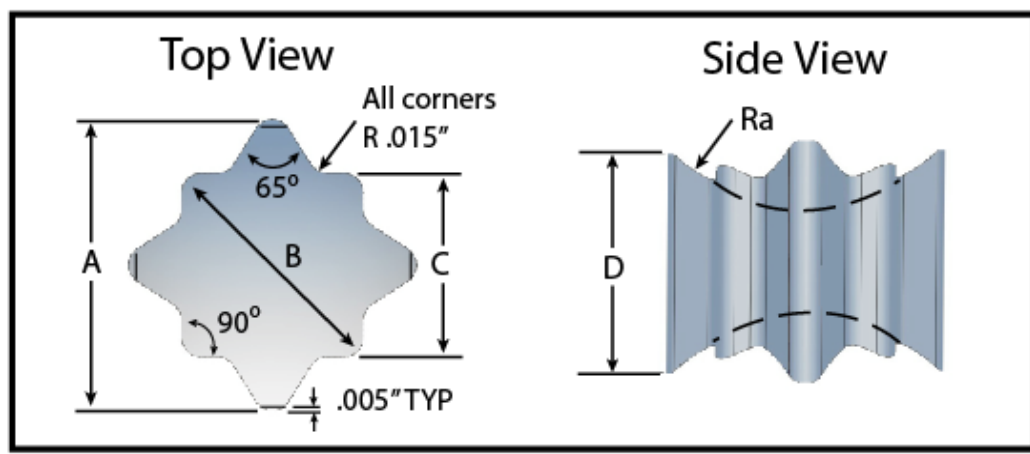
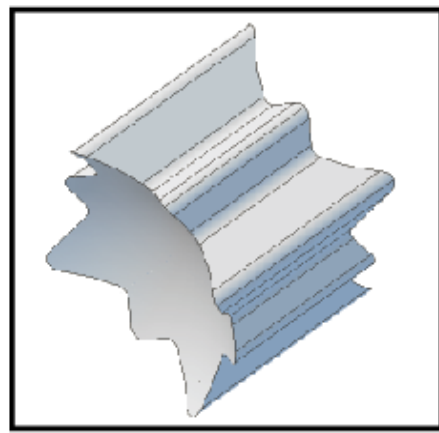




*375 Square Inset*

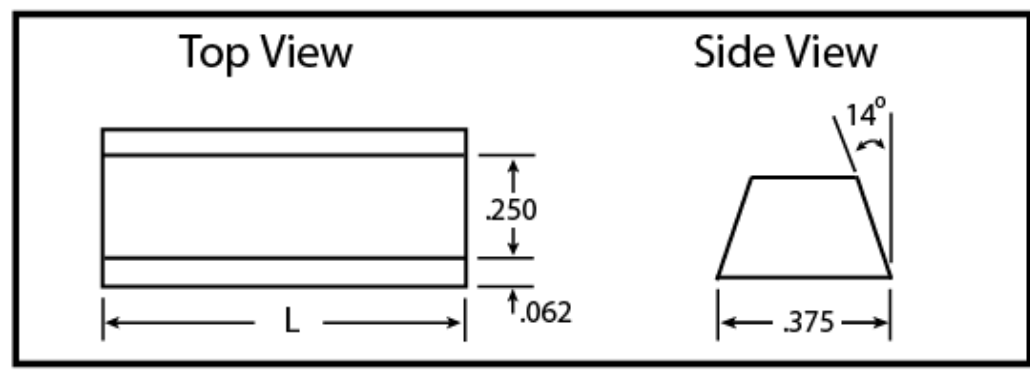
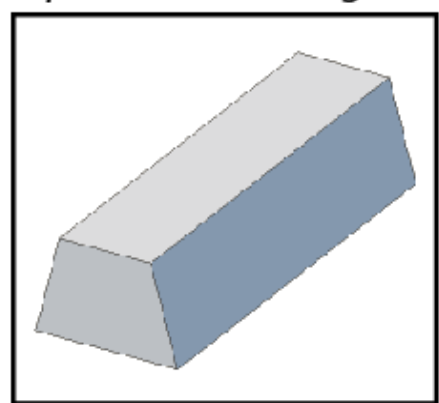


*Star Inset*



Style	Dimensions (inches)				
	A	B	C	D	Ra
3/16"	0.226	0.188	0.141	0.188	0.147
1/4"	0.301	0.250	0.186	0.250	0.197
5/16"	0.377	0.313	0.230	0.313	0.246
3/8"	0.452	0.375	0.274	0.375	0.295

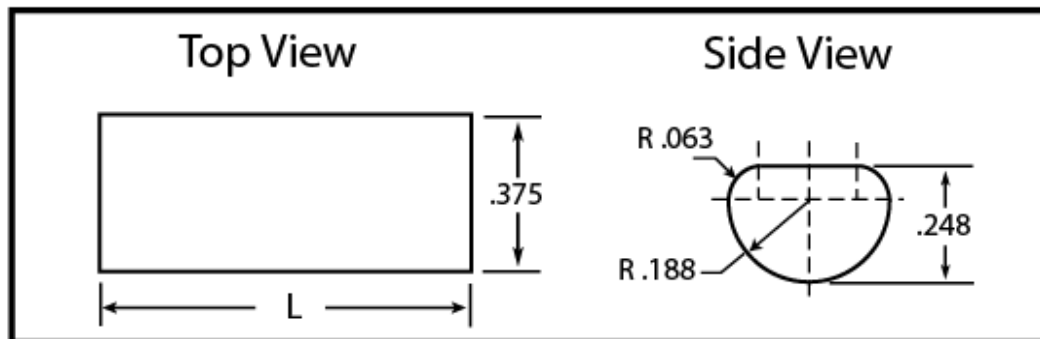
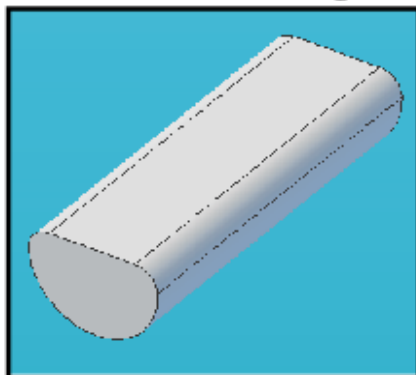
*Trapezoidal Rectangular*



Part Number	5803	L=0.500"	5804	L=1.000"
-------------	------	----------	------	----------

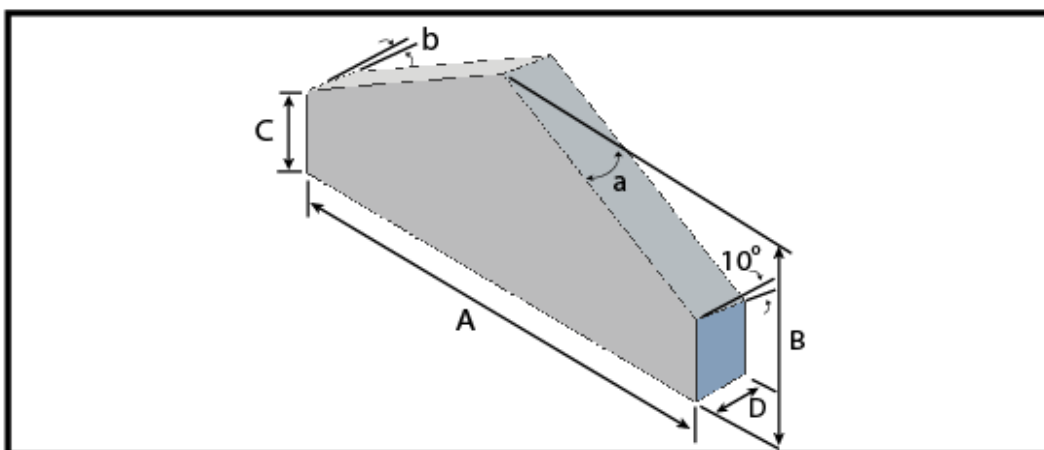
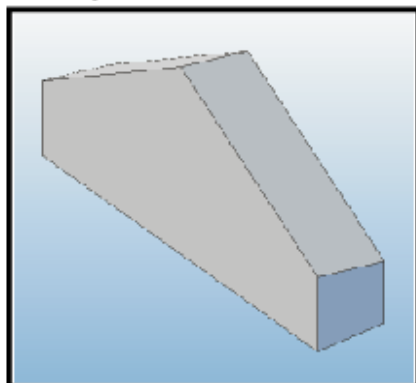


*Half Round Rectangular*



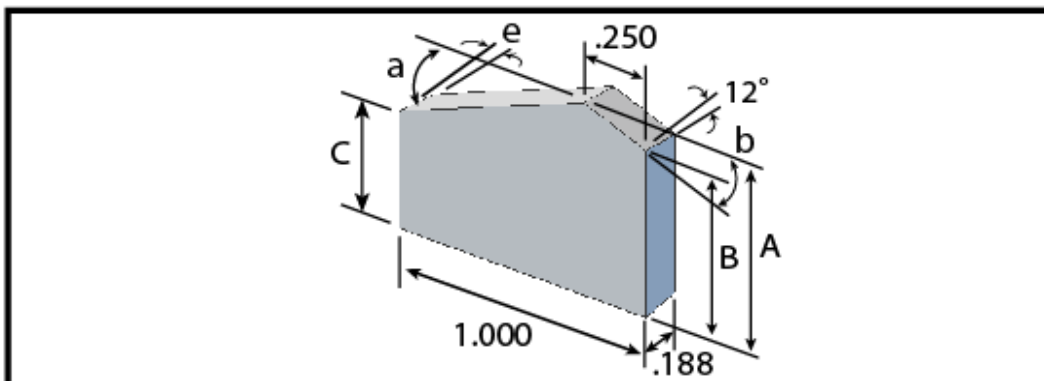
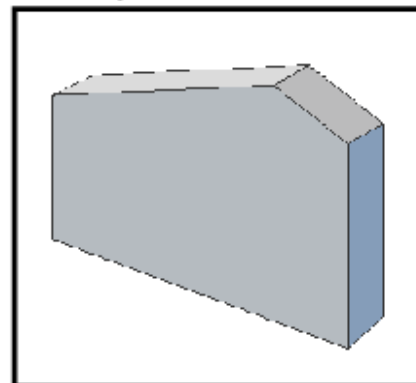
Part Number	5805	L=1.000"	5806	L=0.500"
-------------	------	----------	------	----------

*Symmetrical*



Part Number	Dimensions (inches)					
	A	B	C	D	a	b
6802	1.000	0.500	0.200	0.125	31°	0°
7802	1.000	0.500	0.200	0.188	31°	0°
8852	1.125	0.750	0.500	0.250	25°	3°

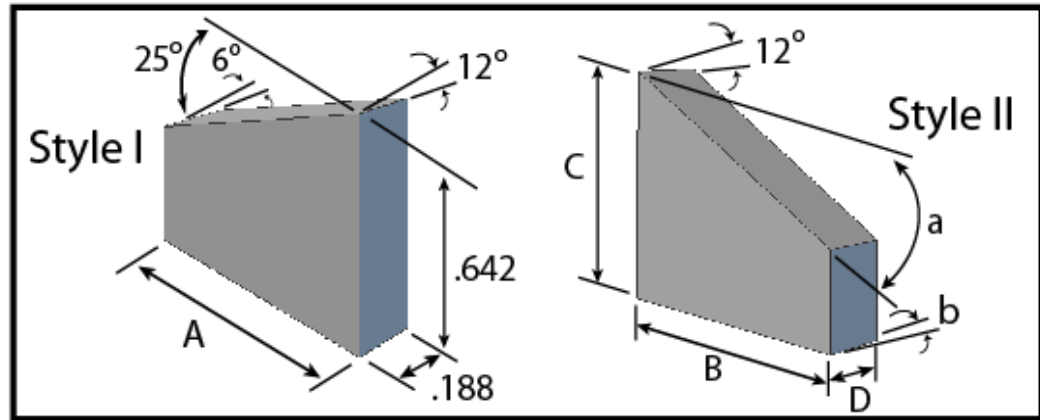
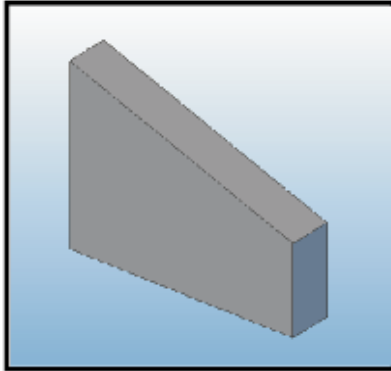
*Asymmetrical*



Part Number	Dimensions (inches)					
	A	B	C	a	b	e
7800	0.775	0.675	0.475	22°	22°	7°
7810	0.875	0.750	0.500	26°	26°	12°
7825	0.775	0.675	0.375	20.5°	20.5°	6°
7840	0.675	0.577	0.312	25°	20°	0°



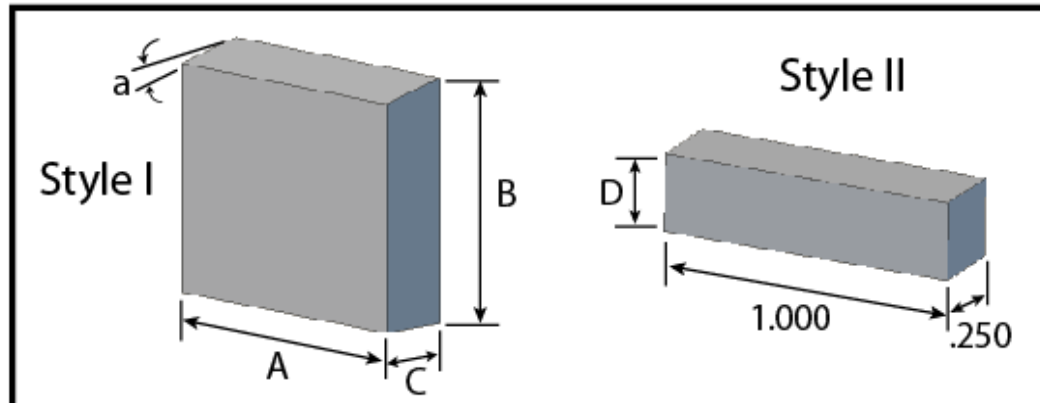
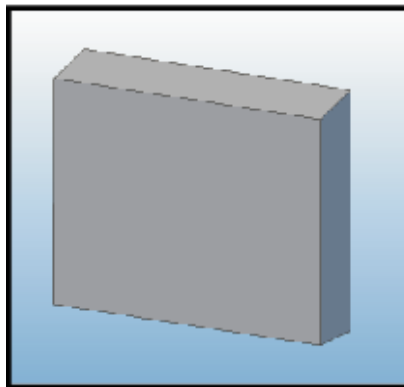
*Wing*



Style I	Part Number	7819	A = 0.560	7821	A = 0.687
---------	-------------	------	-----------	------	-----------

Style II	Part Number	Dimensions (inches)				
		B	C	D	a	b
	7820	0.560	0.642	0.188	25°	6°
	7822	0.687	0.642	0.188	25°	6°
	7826	1.000	0.675	0.188	20.5°	0°
	7831	0.750	0.687	0.188	21°	0°
	7841	1.188	0.577	0.188	20°	0°
	8801	1.250	0.665	0.250	21°	0°

*Gage Blank*



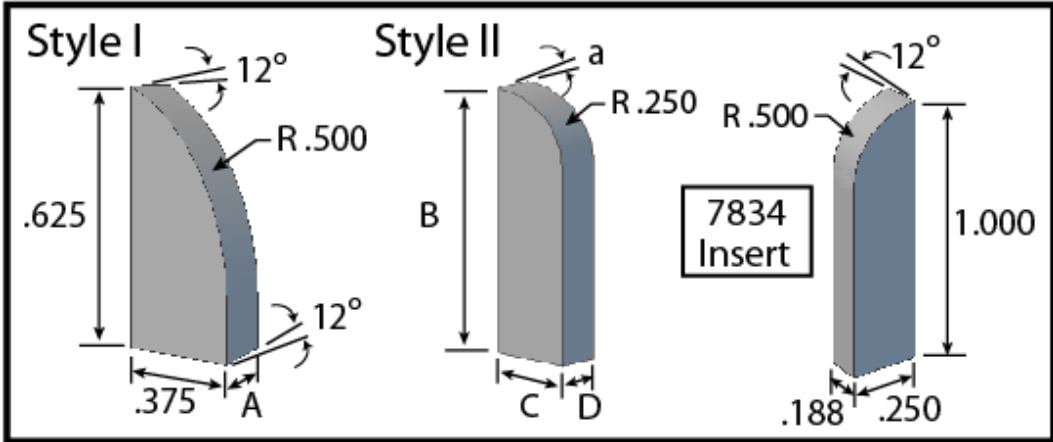
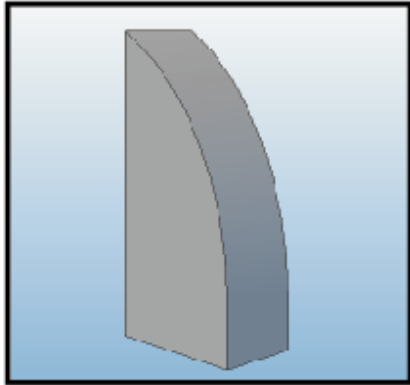
Style I	Part Number	Dimensions (inches)			
		A	B	C	a
	6804	0.500	0.375	0.125	12°
	6804 3/16"	0.500	0.375	0.188	12°
	6805	0.625	0.375	0.125	12°
	7805	0.625	0.375	0.188	12°
	8802	1.000	0.500	0.250	11°
	8814	0.750	0.500	0.188	11°

Style II	Part Number	6809	D = 0.125	6809 3/16"	D = 0.188
----------	-------------	------	-----------	------------	-----------



Radiused Gage Blank  
and Conical

*Radiused Gage Blank*



Style I	Part Number	6833	A = 0.125	7833	A = 0.188
---------	-------------	------	-----------	------	-----------

Style II	Part Number	Dimensions (inches)			
		B	C	D	a
	6806	1.000	0.250	0.125	0°
	6814	0.625	0.375	0.125	12°
	7806	1.000	0.250	0.188	0°
	7844	0.625	0.375	0.188	12°